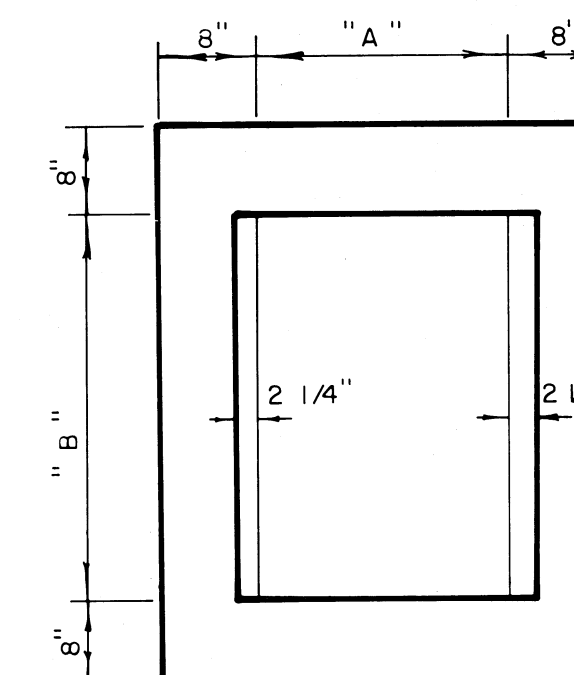


GENERAL NOTES

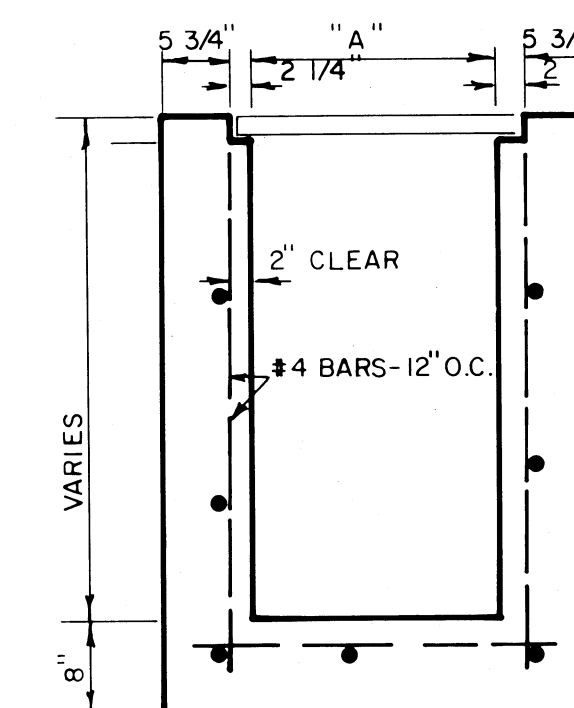
1. GOVERNING SPECIFICATION: STATE OF FLORIDA DEPARTMENT OF TRANSPORTATION STANDARD SPECIFICATIONS DATED 1982 AND THE SUPPLEMENTS DATED JANUARY 1982.
2. THE FINISHED ROADWAY SECTION SHALL BE SMOOTH AND SET TO DRAIN ACCORDING TO THE GRADES SHOWN ON THE PLANS UNLESS OTHERWISE DIRECTED BY THE ENGINEER.
3. GRADES SHOWN ARE FINISHED GRADES.
4. OFFSETS REFER TO BASELINE SURVEY UNLESS OTHERWISE NOTED.
5. THE CONTRACTOR SHALL EXERCISE EXTREME CAUTION IN AREAS OF BURIED CABLES.
6. UNLESS NOTED OTHERWISE, UTILITIES ARE TO BE ADJUSTED BY OTHERS AS DIRECTED BY ENGINEER.
7. THE LOCATIONS OF THE EXISTING UTILITIES SHOWN IN THE PLANS ARE APPROXIMATE ONLY; THE EXACT LOCATIONS SHALL BE DETERMINED BY THE CONTRACTOR PRIOR TO CONSTRUCTION.
8. THE CONTRACTOR SHALL CALL U.N.C.L.E. 1-800-432-4770 48 HOURS BEFORE DIGGING FOR FIELD LOCATIONS OF UNDERGROUND UTILITIES.
9. THE MINIMUM STANDARDS AS SET FORTH IN THE CURRENT EDITION OF "THE STATE OF FLORIDA, MANUAL ON TRAFFIC CONTROL AND SAFE PRACTICES FOR STREET AND HIGHWAY CONSTRUCTION, MAINTENANCE AND UTILITY OPERATIONS" SHALL BE FOLLOWED. IN THE DESIGN, APPLICATION, INSTALLATION, MAINTENANCE AND REMOVAL OF ALL TRAFFIC CONTROL DEVICES, WARNING DEVICES AND BARRIERS NECESSARY TO PROTECT THE PUBLIC AND WORKMEN FROM HAZARDS WITHIN THE PROJECT LIMITS AND SHALL BE PROVIDED BY THE CONTRACTOR AT NO ADDITIONAL EXPENSE.

STRUCTURE TABLE

STRUCTURE NUMBER	"D" DIAMETER	COVER TYPE
1.	4'	A
2.	4'	B
3.	4'	B
4.	4'	A
5.	4'	A
6.	4'	B
7.	4'	B
8.	4'	A
9.	4'	A
10.	5'	A
11.	6'	A
12.	5'	B
13.	5'	B
14.	4'	B
15.	4'	B
16.	4'	A
17.	4'	B
18.	4'	B
19.	4'	A
20.	4'	A
21.	4'	C
22.	4'	C



PLAN



SECTION

INLET DETAIL

NOTE: 4' & 5' REFER TO JUNCTION BOX/CATCH BASIN LETTERS REFER TO DOT TYPE INLET.

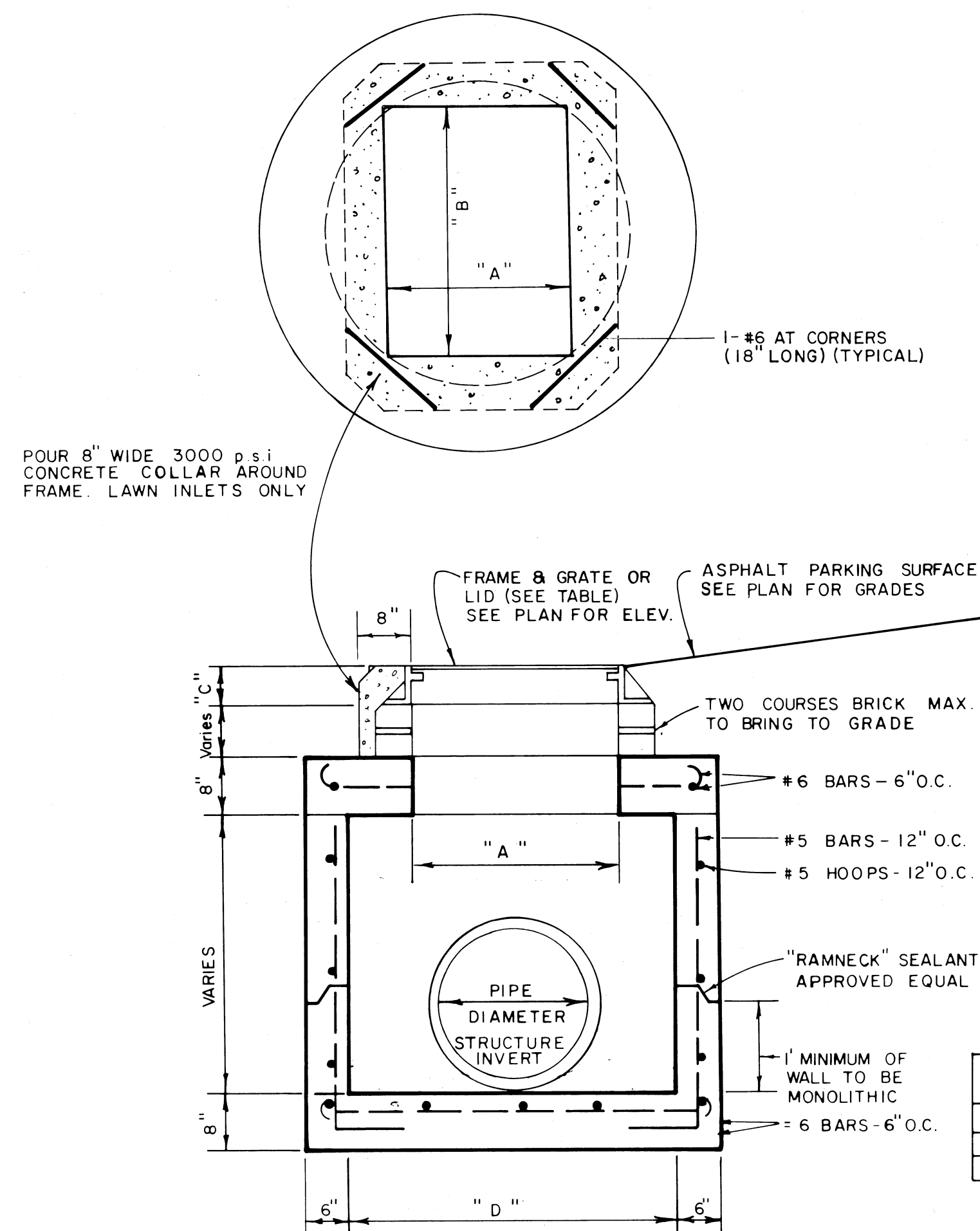
STRUCTURE COVERS

TYPE	GRATE OR LID	"A"	"B"	"C"
A	USF 4170-6245	35"	35"	4"
B	USF 5130-6168	43 1/4"	31"	6 1/2"
C	USF 117	25 1/2" DIAMETER		4"

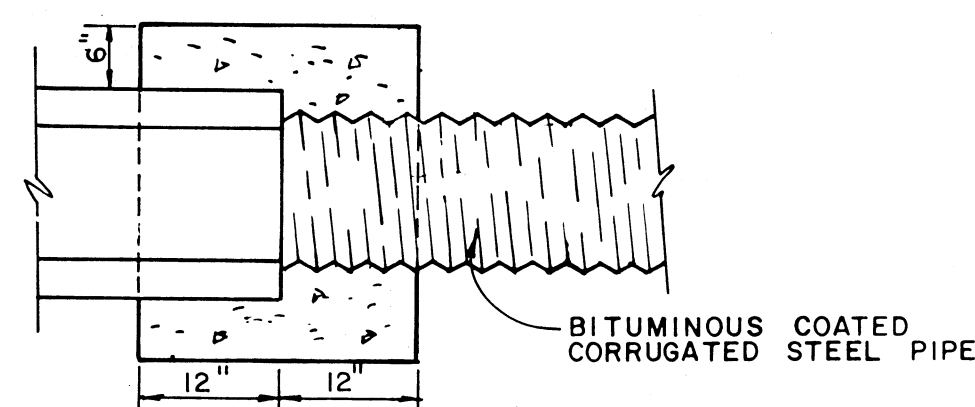
TYPE INLET	DIM.		MAX. SIZE R.C.P.
	"A"	"B"	
"C"	2'-0"	3'-1"	18"
"D"	4'-1"	3'-1"	24"
"E"	3'-0"	4'-6"	24"
"E Mod"	3'-0"	4'-6"	48"

INLET NOTES

1. GRATES SHALL BE PER FLA D.O.T. SPECIFICATIONS FOR THE TYPE INLET SHOWN ON PLANS.
2. TYPE "E" MODIFIED SHALL BE A TYPE "E" TURNED 90° TO ACCEPT UP TO A 42" PIPE.
3. MAXIMUM SIZE PIPE REFERS TO SIZE COMPATIBLE WITH NARROW DIMENSION OF BOX.



JUNCTION BOX / CATCH BASIN DETAIL

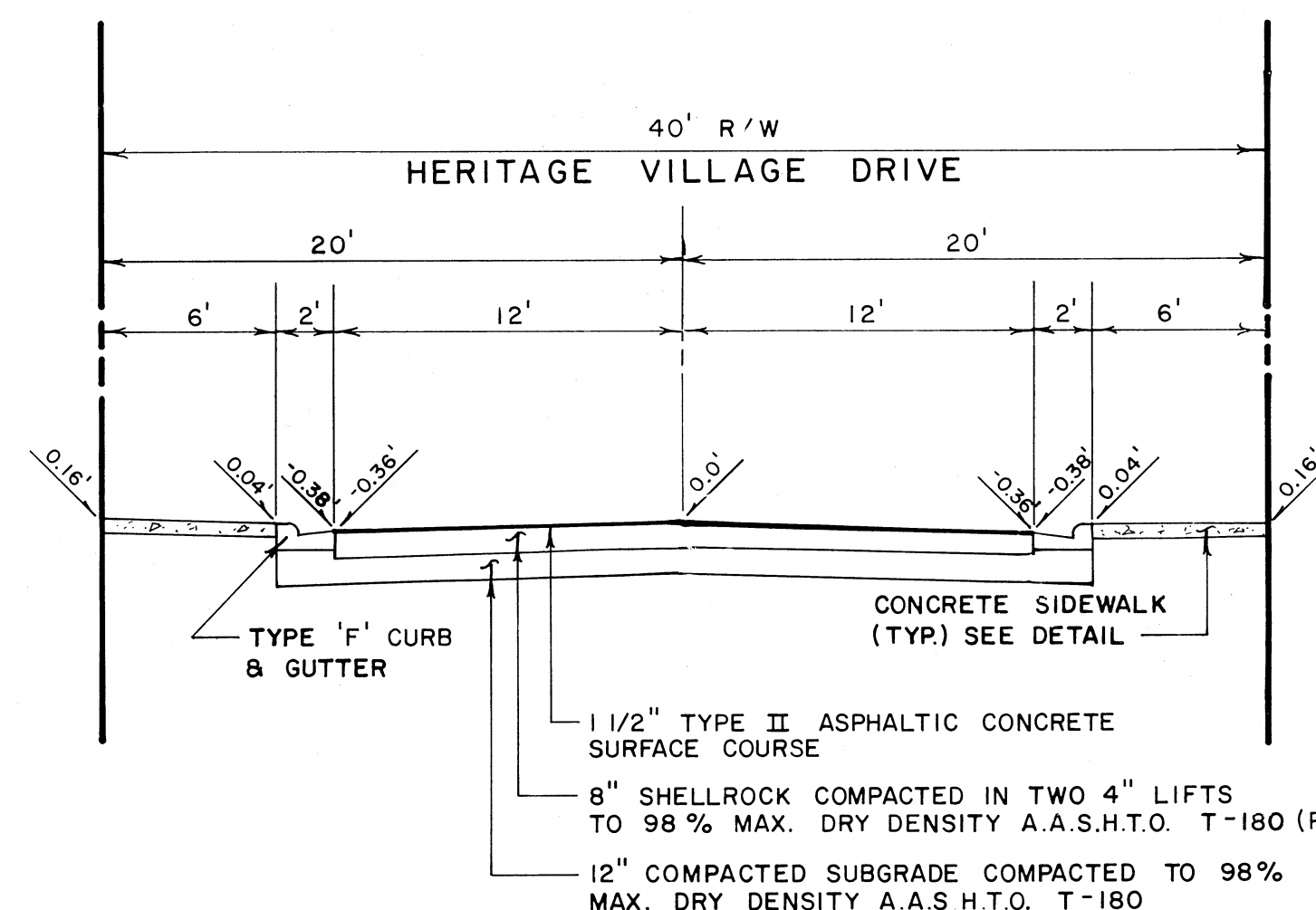


NOTE: COST OF CONCRETE AND BITUMINOUS COATING TO BE INCLUDED IN CONTRACT UNIT PRICE FOR PIPE

- A CONCRETE JACKET SHALL NOT BE USED TO JOIN:
- (a) METAL PIPE OF DISSIMILAR MATERIALS
 - (b) FLEXIBLE PIPE WHEN THE MINIMUM COVER REQUIRED IN ACCORDANCE WITH INDEX NO. 205 CANNOT BE OBTAINED

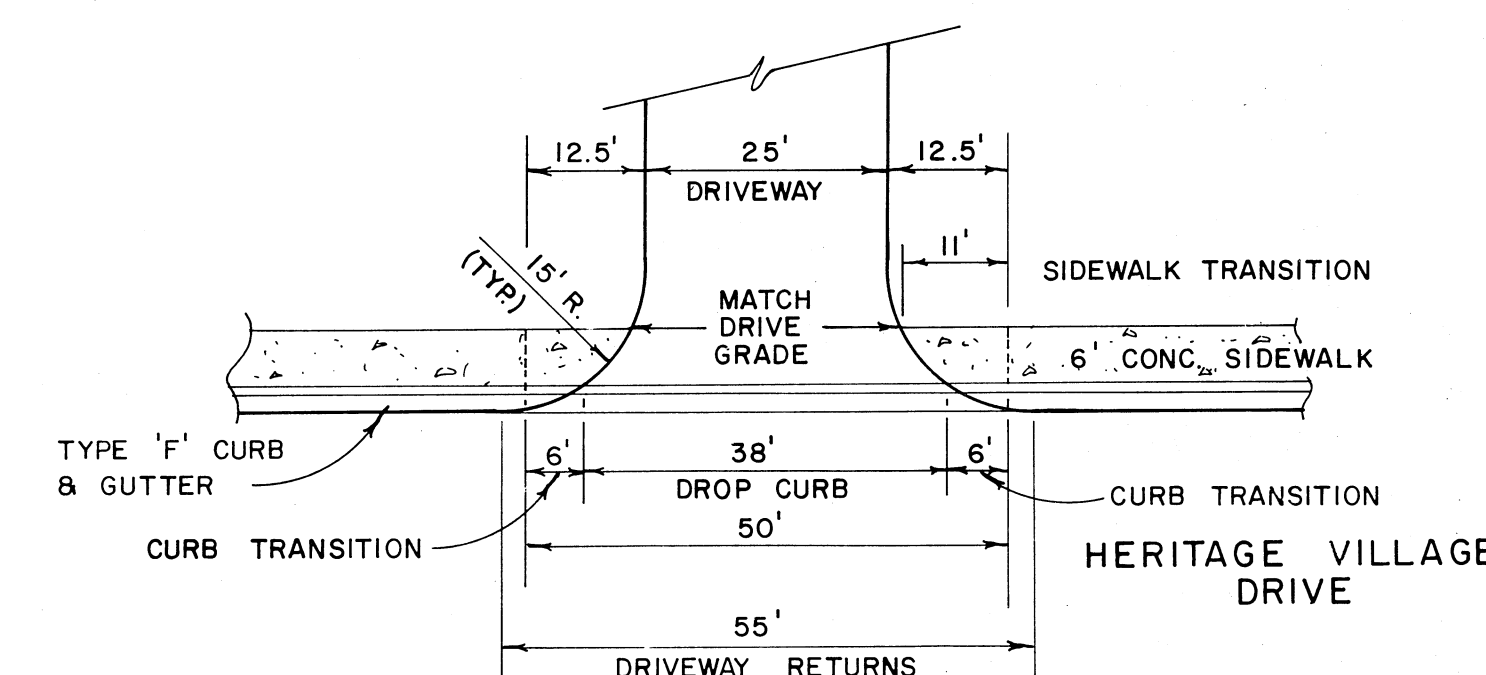
TYPE I HEADWALL

NOT TO SCALE



TYPICAL ROADWAY 40' R/W

SCALE: 1" = 6'



TYPICAL DRIVEWAY CONNECTION

SCALE: 1" = 20'